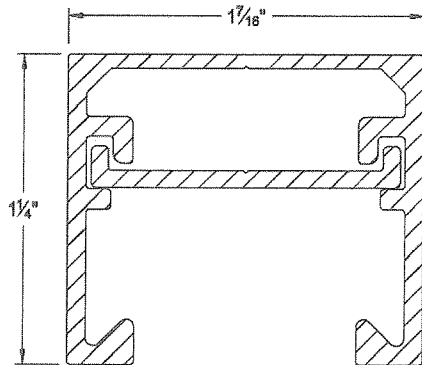


ECHELON PLUS®

ALUMINUM ORNAMENTAL FENCING

Echelon Plus Rails: 1-1/4" x 1-7/16" (.055" top wall / .075" side walls)

Echelon Plus Pickets: 3/4" x 3/4" x .050"



INTERNAL RETAINING ROD
Connection system provides ease of installation, high angle biasability, and elimination of unsightly external fasteners.

CONTOURED GROMMET
Grommet gives finished appearance and inhibits interior collection of moisture from rain or sprinklers.

POST CAP
Cast aluminum cap provides closure and gives finished appearance to post.

REINFORCED POST
Center rib increases strength against wind loading as well as other horizontally applied forces.

BOULEVARD BRACKET
Boulevard bracket enables easy installation and adds strength to the post.

FORERUNNER™ RAIL
(Patent Pending)
"U" Channel - Specially formed high strength architectural shape.

INTERIOR GUIDE CHANNEL
Channel forms lower limit of raceway for retaining rod and allows for high angle panel biasability.


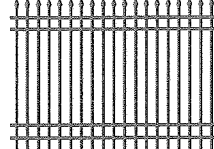
Span	6' Nominal (73-1/16" Rail)				8' Nominal (91-3/4" Rail)					
	2-1/2"	2-1/2"	3"	2-1/2"	3"	2-1/2"	3"	2-1/2"	3"	
Bracket Type	Echelon Plus Line Boulevard (ABB3)	Echelon Plus Swivel (ABB2)		Echelon Plus Flat Mount (ABB1)		Echelon Plus Line Boulevard (ABB3)	Echelon Plus Swivel (ABB2)		Echelon Plus Flat Mount (ABB1)	
Post Settings +/- 1/2" O.C.	76-1/4"	78"	78-1/2"	76-1/4"	76-3/4"	95"	96-1/2"	97"	95"	95-1/2"

Note: When using swivel brackets on either or both ends of a panel installation, care must be taken to ensure the spacing between post and adjoining pickets meets applicable codes. This may require trimming one or both ends of the panel as needed.

QUALITY • SECURITY • STRENGTH • APPEARANCE • MAINTENANCE-FREE



CLASSIC™ PANELS

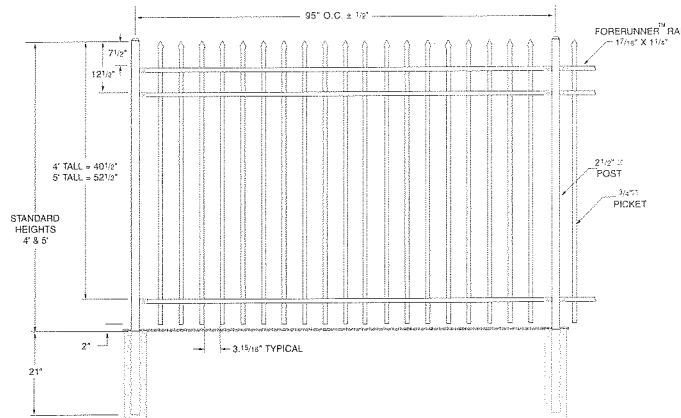
ITEM DESCRIPTION	RAILS	PART NUMBER/COLOR			DEALER PRICE	FENCE HT	WT
		BLACK	WHITE	BRONZE			
Classic™ Panels   3-Rail (4' & 5' Tall) 4-Rail (6' Tall) 19 Pickets Per Panel	3	ACB3488	ACW3488 (N/S)	ACN3488	123.12	4'	24
	3	ACB3608	ACW3608 (N/S)	ACN3608	140.46	5'	27
	4	ACB4728	ACW4728 (N/S)	ACN4728	173.69	6'	34
Panels packaged in components. One panel per box. Panel length is 91-3/4". Pickets on 4.67" centers (3.92" air space).							

Note: Panel prices do not include panel brackets. (See pricing on Page 7-15)

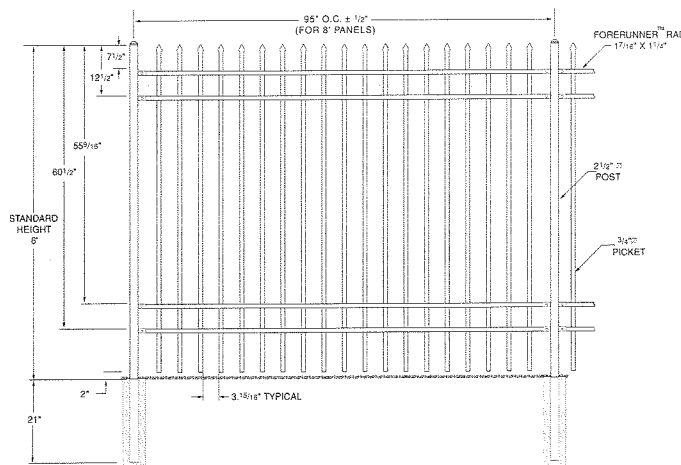
Span	8' Nominal (91-3/4" Rail)				
Post Size	2-1/2"	2-1/2"	3"	2-1/2"	3"
Bracket Type	Echelon Plus Line Boulevard (ABB3)	Echelon Plus Swivel (ABB2)		Echelon Plus Flat Mount (ABB1)	
Post Settings +/- 1/2" O.C.	95"	96-1/2"	97"	95"	95-1/2"

Refer to Note on Page 7-1

Classic 3-Rail



Classic 4-Rail



N/S = Non stock