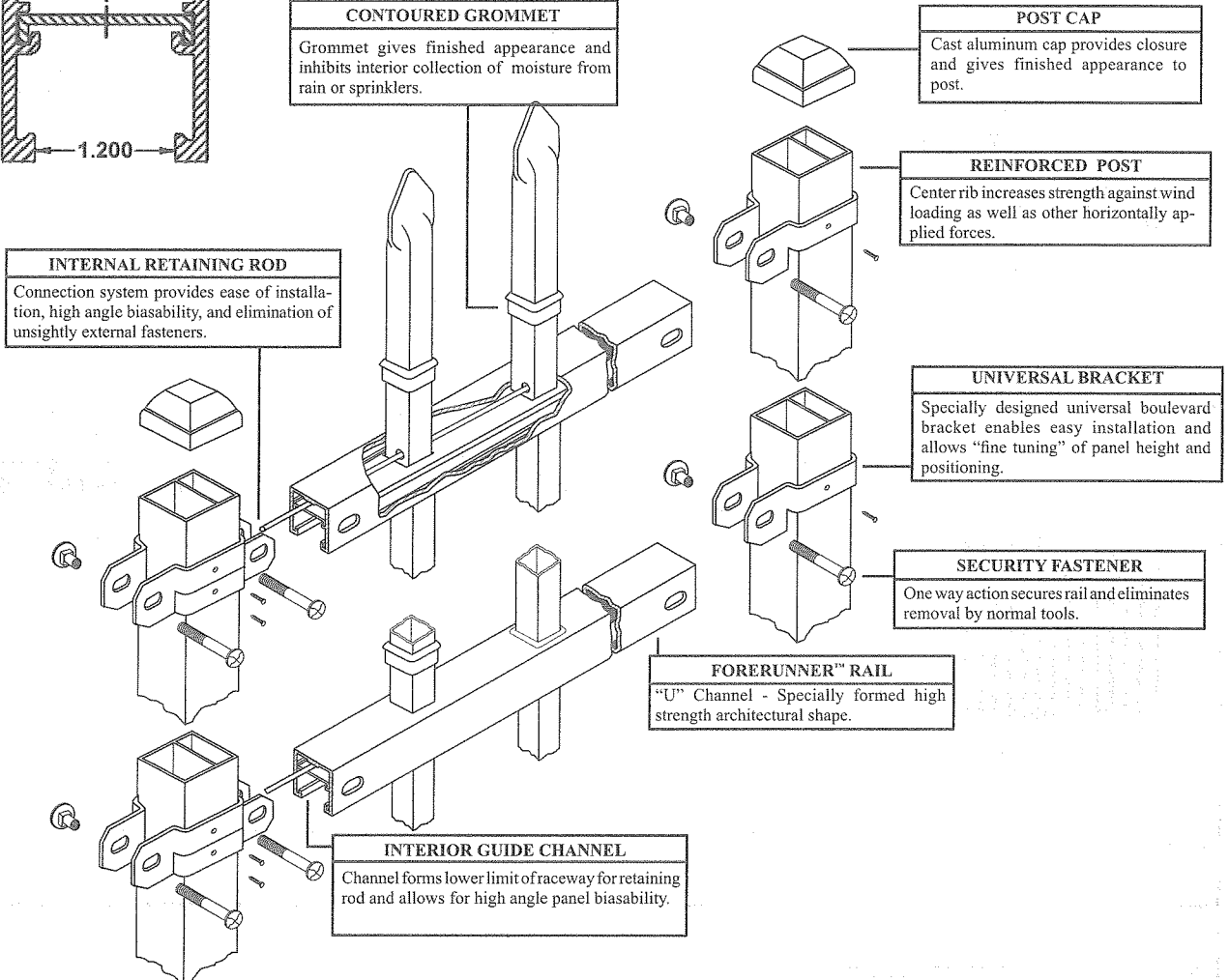
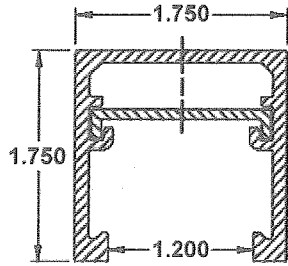


# Echelon II®

## INDUSTRIAL ORNAMENTAL ALUMINUM FENCE

Echelon II Rail: 1.75" x 1.75" (.100" top wall / .120" side walls)  
 Echelon II Picket: 1" x 1" x .065"



Span	STRAIGHT PICKET STYLES						CURVED PICKET STYLES					
	8' Nominal (92-5/8" Rail)						8' Nominal (91-1/4" Rail)					
Post Size	2-1/2"	3"	2-1/2"	3"	2-1/2"	3"	2-1/2"	3"	2-1/2"	3"	2-1/2"	3"
Bracket Type	Industrial Universal Boulevard (BB302) (BB303)		Industrial Flat Mount (BB301)		Industrial Swivel (BB304)		Industrial Universal Boulevard (BB302) (BB303)		Industrial Flat Mount (BB301)		Industrial Swivel (BB304)	
Post Settings ± 1/2" O.C.	96"	96-1/2"	96"	96-1/2"	97-1/2"	98"	94-1/2"	95"	94-1/2"	95"	96"	96-1/2"

Span	6' Nominal (67-3/4" Rail)						6' Nominal (71-3/8" Rail)					
	Post Size	2-1/2"	3"	2-1/2"	3"	2-1/2"	3"	2-1/2"	3"	2-1/2"	3"	2-1/2"
Bracket Type	Industrial Universal Boulevard (BB302) (BB303)		Industrial Flat Mount (BB301)		Industrial Swivel (BB304)		Industrial Universal Boulevard (BB302) (BB303)		Industrial Flat Mount (BB301)		Industrial Swivel (BB304)	
Post Settings ± 1/2" O.C.	71-1/2"	72"	71-1/2"	72"	73"	73-1/2"	75"	75-1/2"	75"	75-1/2"	76-1/2"	77"

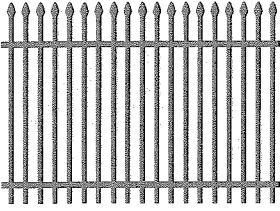
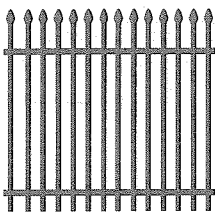
• QUALITY • SECURITY • STRENGTH • APPEARANCE • MAINTENANCE-FREE

# ECHELON II®



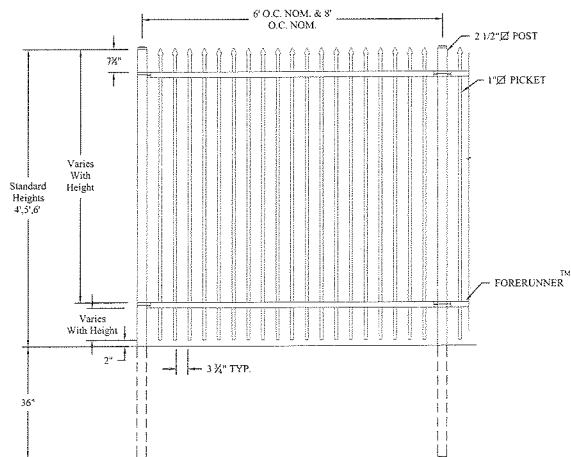
www.ameristarfence.com  
1-888-333-3422  
FAX: 1-877-926-3747

## PANELS

ITEM DESCRIPTION	BLACK		COLOR				FENCE HT	WT EA
	PART	PRICE	BRONZE	WHITE	DESERT SAND	PRICE		
<b>2-Rail Classic™ Panels (8')</b>    19 Pickets Per Panel	2ACB20468 (N/S)	183.33	2ACN20468 (N/S)	2ACW20468 (N/S)	2ACS20468 (N/S)	192.50	4	37
	2ACB20588 (N/S)	207.10	2ACN20588 (N/S)	2ACW20588 (N/S)	2ACS20588 (N/S)	217.46	5	42
	2ACB20708 (N/S)	230.46	2ACN20708 (N/S)	2ACW20708 (N/S)	2ACS20708 (N/S)	241.97	6	48
<b>2-Rail Classic™ Panels (6')</b>    14 Pickets Per Panel	2ACB20466 (N/S)	134.88	2ACN20466 (N/S)	2ACW20466 (N/S)	2ACS20466 (N/S)	141.63	4	27
	2ACB20586 (N/S)	152.05	2ACN20586 (N/S)	2ACW20586 (N/S)	2ACS20586 (N/S)	159.66	5	30
	2ACB20706 (N/S)	168.92	2ACN20706 (N/S)	2ACW20706 (N/S)	2ACS20706 (N/S)	177.36	6	35

**Note:** Panel prices do not include panel brackets. (See pricing on Page 8-21)

STRAIGHT PICKET STYLES						
Span	8' Nominal (92-5/8" Rail)					
Post Size	2-1/2"	3"	2-1/2"	3"	2-1/2"	3"
Bracket Type	Industrial Universal Boulevard (BB302)   (BB303)		Industrial Flat Mount (BB301)		Industrial Swivel (BB304)	
Post Settings ± 1/2" O.C.	96"	96-1/2"	96"	96-1/2"	97-1/2"	98"
Span	6' Nominal (67-3/4" Rail)					
Post Size	2-1/2"	3"	2-1/2"	3"	2-1/2"	3"
Bracket Type	Industrial Universal Boulevard (BB302)   (BB303)		Industrial Flat Mount (BB301)		Industrial Swivel (BB304)	
Post Settings ± 1/2" O.C.	71-1/2"	72"	71-1/2"	72"	73"	73-1/2"



N/S = Non Stock