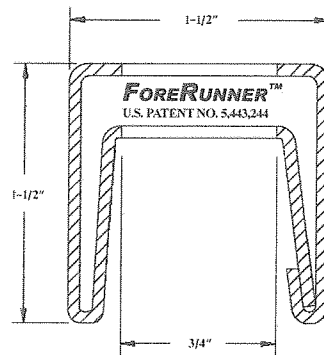


AEGIS PLUS®

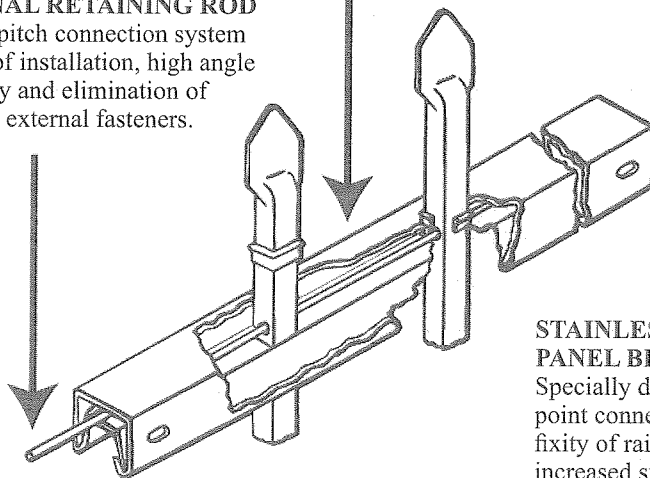
COMMERCIAL ORNAMENTAL FENCE

Aegis Plus Rails: Double-walled channel 1-1/2" Sq. x .150" (effective wall thickness)

Aegis Plus Pickets: 3/4" x 3/4" x 17 Ga.

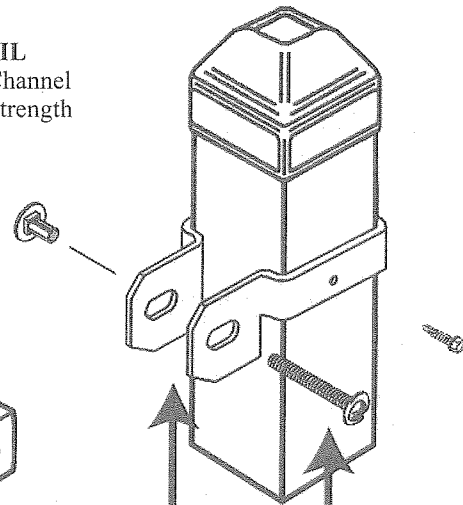


INTERNAL RETAINING ROD
Variable pitch connection system for ease of installation, high angle biasability and elimination of unsightly external fasteners.



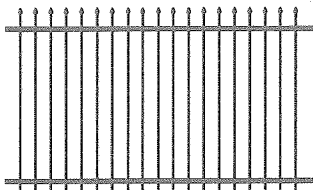
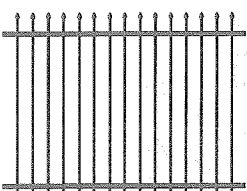
FORERUNNER™ RAIL
Double-walled "U" – Channel specially formed high strength architectural shape.

STAINLESS STEEL PANEL BRACKET
Specially designed two-point connection ensures fixity of rail ends for increased strength.



STAINLESS STEEL SECURITY FASTENER
One way action secures rail and eliminates removal by normal tools.

STRENGTH • SECURITY • VALUE • QUALITY • APPEARANCE

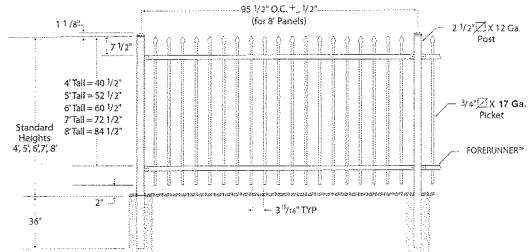
ITEM DESCRIPTION	BLACK		COLOR				FENCE HT	WT EA
	PART	PRICE	BRONZE	WHITE	DESERT SAND	PRICE		
2-Rail Classic™ Panels (8')  19 Pickets Per Panel	1CB20468 N/S	178.78	1CN20468 N/S	1CW20468 N/S	1CS20468 N/S	187.54	4	68
	1CB20588 N/S	202.66	1CN20588 N/S	1CW20588 N/S	1CS20588 N/S	212.75	5	78
	1CB20708	226.80	1CN20708 N/S	1CW20708 N/S	1CS20708 N/S	238.24	6	88
2-Rail Classic™ Panels (6')  15 Pickets Per Panel	1CB20466 N/S	141.25	1CN20466 N/S	1CW20466 N/S	1CS20466 N/S	148.20	4	50
	1CB20586 N/S	160.10	1CN20586 N/S	1CW20586 N/S	1CS20586 N/S	168.11	5	57
	1CB20706	179.16	1CN20706 N/S	1CW20706 N/S	1CS20706 N/S	188.23	6	64

Note: Panel prices do not include panel brackets. (See pricing on Page 5-17)

CLASSIC™ 2-RAIL

Span	8' Nominal (92" Rail)							
	2-1/2"		3"		2-1/2"		3"	
Post Size	2-1/2"	3"	2-1/2"	3"	2-1/2"	3"	2-1/2"	3"
Bracket Type	Commercial Universal Boulevard (BB311)		Commercial Line Boulevard (BB310)		Commercial Flat Mount (BB306)		Commercial Swivel (BB312)	
Post Settings +/- 1/2" O.C.	95-1/2"	N/A	95-1/2"	N/A	95-1/2"	96"	97"	97-1/2"

Span	6' Nominal (73-1/4" Rail)							
	2-1/2"		3"		2-1/2"		3"	
Post Size	2-1/2"	3"	2-1/2"	3"	2-1/2"	3"	2-1/2"	3"
Bracket Type	Commercial Universal Boulevard (BB311)		Commercial Line Boulevard (BB310)		Commercial Flat Mount (BB306)		Commercial Swivel (BB312)	
Post Settings +/- 1/2" O.C.	76-3/4"	N/A	76-3/4"	N/A	76-3/4"	77-1/4"	78-1/4"	78-3/4"



NOTE: 6' Panels will be identical to this drawing, except there will be 15 pickets and post spacing will be 76-3/4" O.C. +/- 1/2".