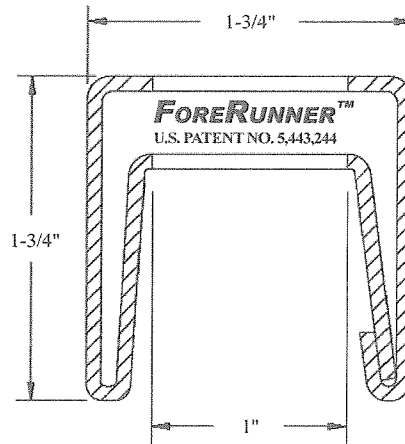


AEGIS II®

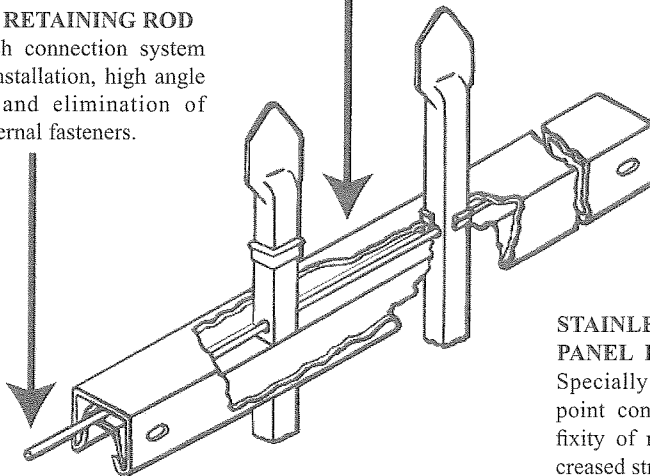
INDUSTRIAL ORNAMENTAL FENCE

Aegis II Rails: Double Walled Channel 1-3/4" Sq. x .150" (effective wall thickness)

Aegis II Pickets: 1" x 1" x 14 Ga.

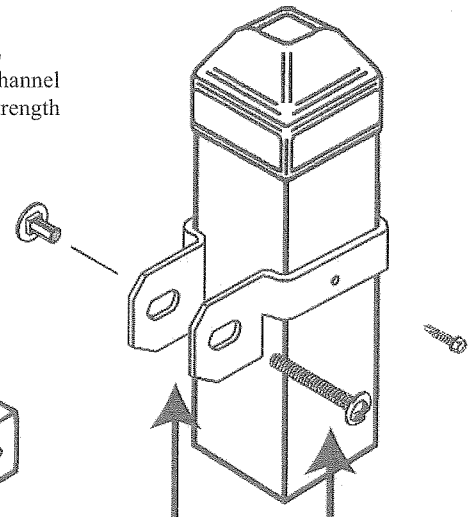


INTERNAL RETAINING ROD
Variable pitch connection system for ease of installation, high angle biasability, and elimination of unsightly external fasteners.



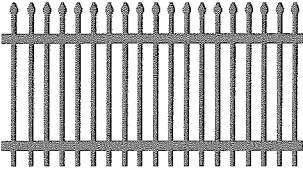
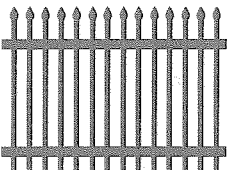
FORERUNNER™ RAIL
Double-walled "U" - Channel
Specially formed high strength architectural shape.

STAINLESS STEEL PANEL BRACKET
Specially designed two-point connection ensures fixity of rail ends for increased strength.



STAINLESS STEEL SECURITY FASTENER
One way action secures rail and eliminates removal by normal tools.

STRENGTH • SECURITY • VALUE • QUALITY • APPEARANCE

ITEM DESCRIPTION	BLACK		COLOR			FENCE HT	WT EA	
	PART	PRICE	BRONZE	WHITE	DESERT SAND			PRICE
2-Rail Classic™ Panels (8')  19 Pickets Per Panel	2CB20468 (N/S)	247.02	2CN20468 (N/S)	2CW20468 (N/S)	2CS20468 (N/S)	259.37	4	103
	2CB20588 (N/S)	280.18	2CN20588 (N/S)	2CW20588 (N/S)	2CS20588 (N/S)	294.21	5	120
	2CB20708	314.88	2CN20708 (N/S)	2CW20708 (N/S)	2CS20708 (N/S)	330.61	6	138
	2CB20828 (N/S)	351.85	2CN20828 (N/S)	2CW20828 (N/S)	2CS20828 (N/S)	369.41	7	154
	2CB20948 (N/S)	397.96	2CN20948 (N/S)	2CW20948 (N/S)	2CS20948 (N/S)	417.89	8	171
	2CB21068 (N/S)	442.93	2CN21068 (N/S)	2CW21068 (N/S)	2CS21068 (N/S)	465.10	9	190
	2CB21188 (N/S)	479.14	2CN21188 (N/S)	2CW21188 (N/S)	2CS21188 (N/S)	503.08	10	207
2-Rail Classic™ Panels (6')  14 Pickets Per Panel	2CB20466 (N/S)	183.82	2CN20466 (N/S)	2CW20466 (N/S)	2CS20466 (N/S)	193.02	4	77
	2CB20586 (N/S)	207.79	2CN20586 (N/S)	2CW20586 (N/S)	2CS20586 (N/S)	218.19	5	90
	2CB20706	232.83	2CN20706 (N/S)	2CW20706 (N/S)	2CS20706 (N/S)	244.48	6	102
	2CB20826 (N/S)	259.53	2CN20826 (N/S)	2CW20826 (N/S)	2CS20826 (N/S)	272.52	7	114
	2CB20946 (N/S)	292.87	2CN20946 (N/S)	2CW20946 (N/S)	2CS20946 (N/S)	307.53	8	127
	2CB21066 (N/S)	325.34	2CN21066 (N/S)	2CW21066 (N/S)	2CS21066 (N/S)	341.62	9	139
	2CB21186 (N/S)	351.48	2CN21186 (N/S)	2CW21186 (N/S)	2CS21186 (N/S)	369.13	10	152

Note: Panel prices do not include panel brackets. (See pricing on Page 6-14)

Span	8' Nominal (92-5/8" Rail)					
Post Size	2-1/2"		3"		3"	
Bracket Type	Industrial Universal Boulevard (BB302) (BB303)		Industrial Flat Mount (BB301)		Industrial Swivel (BB304)	
Post Settings ± 1/2" O.C.	96"	96-1/2"	96"	96-1/2"	97-1/2"	98"

Span	6' Nominal (67-3/4" Rail)					
Post Size	2-1/2"		3"		3"	
Bracket Type	Industrial Universal Boulevard (BB302) (BB303)		Industrial Flat Mount (BB301)		Industrial Swivel (BB304)	
Post Settings ± 1/2" O.C.	71-1/2"	72"	71-1/2"	72"	73"	73-1/2"

